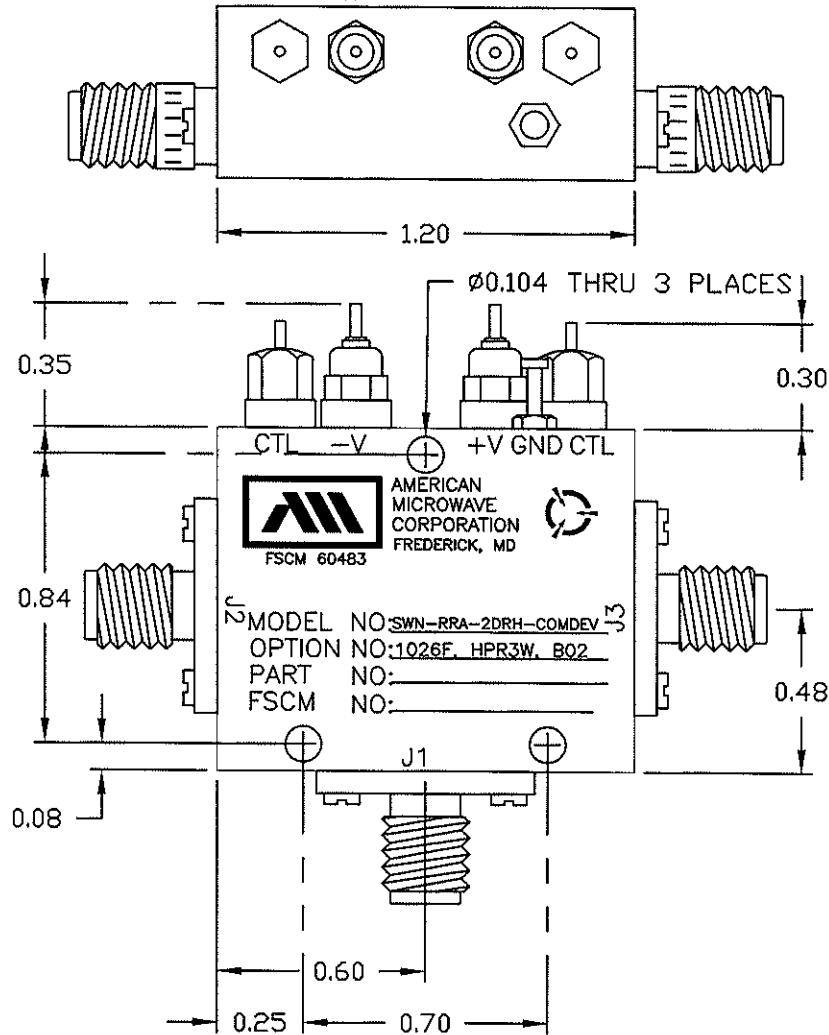


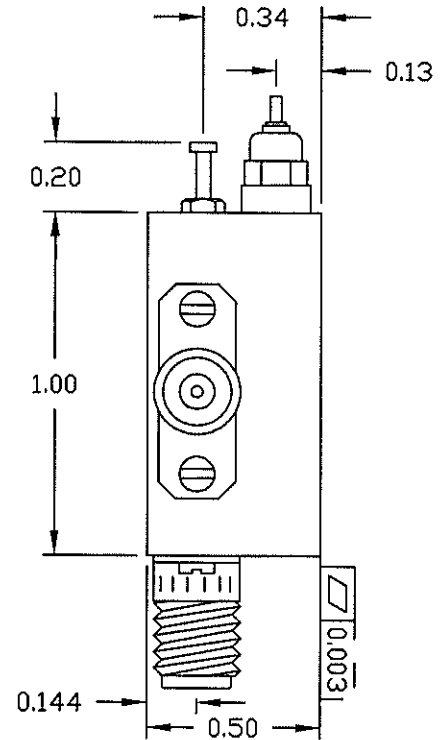
DESCRIPTION:

AMC MODEL SWN-RRA-2DRH-COMDEV IS A SINGLE POLE TWO THROW NARROW BAND REFLECTIVE SWITCH MODULE, DESIGNED FOR THE 1.26 GHz ±30MHz FREQUENCY RANGE. THIS 85 dB ISOLATION SWITCH IS DESIGNED FOR HIGH INPUT POWER.

REVISIONS				
ZONE	REV.	DESCRIPTION	DATE	APPROVED
-	-	ORIGINAL RELEASE JOB #711214E	11/26/07	



MECHANICAL OUTLINE



AMERICAN MICROWAVE CORPORATION

7311-G GROVE ROAD
 FREDERICK, MARYLAND 21704 USA
 TEL: 301-662-4700 FAX: 301-662-4938
 WEBSITE: www.americanmicrowavecorp.com
 E-MAIL: sales@americanmicrowavecorp.com
 ISO 9001:2000 CERTIFIED



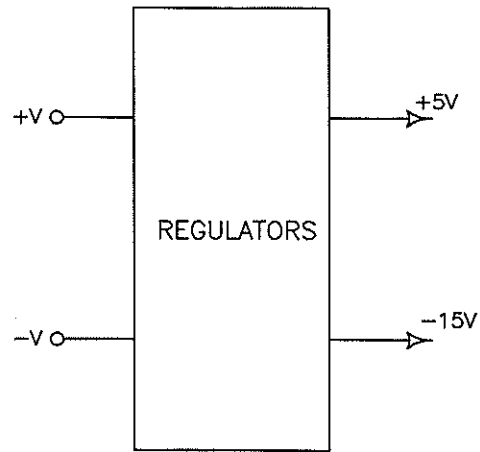
ALL DIMENSIONS ARE IN INCHES
 TOLERANCES:
 X.XX ±0.010
 X.XXX ±0.005

APPROVALS		DATE	TITLE		
DRAWN <i>PRB</i>		11/26/07	MECHANICAL OUTLINE SWN-RRA-2DRH-COMDEV OPTIONS: 1026F, HPR3W, B02		
CHECKED <i>JA</i>		11/27/07	SIZE	FSCM NO.	DWG NO.
ISSUED			A	60483	100-6919-001
			SCALE	N:S	SHEET 2 OF 4

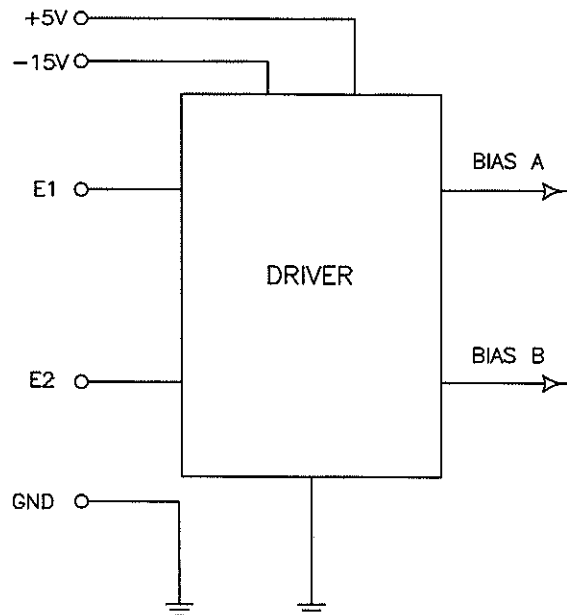
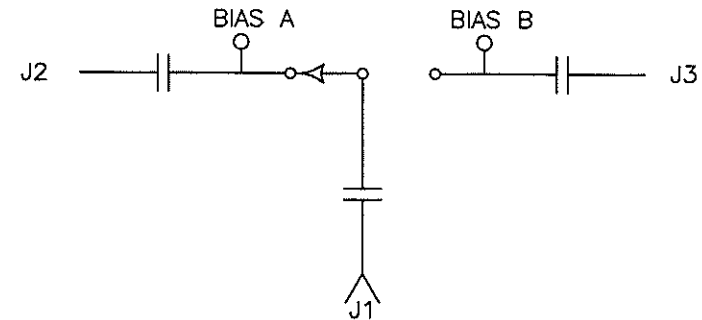
DESCRIPTION:

AMC MODEL SWN-RRA-2DRH-COMDEV IS A SINGLE POLE TWO THROW NARROW BAND REFLECTIVE SWITCH MODULE, DESIGNED FOR THE 1.26 GHz \pm 30MHz FREQUENCY RANGE. THIS 85 dB ISOLATION SWITCH IS DESIGNED FOR HIGH INPUT POWER.

REVISIONS				
ZONE	REV.	DESCRIPTION	DATE	APPROVED
	-	ORIGINAL RELEASE JOB #711214E	11/26/07	



FUNCTIONAL SCHEMATIC DIAGRAM



AMERICAN MICROWAVE CORPORATION

7311-G GROVE ROAD
 FREDERICK, MARYLAND 21704 USA
 TEL: 301-662-4700 FAX: 301-662-4938
 WEBSITE: www.americanmicrowavecorp.com
 E-MAIL: sales@americanmicrowavecorp.com
 ISO 9001:2000 CERTIFIED



APPROVALS		DATE	TITLE			REV.
DRAWN <i>PRB</i>		11/26/07	FUNCTIONAL BLOCK DIAGRAM SWN-RRA-2DRH-COMDEV OPTIONS: 1026F, HPR3W, B02			-
CHECKED <i>PA</i>		11/27/07	SIZE A	FSCM NO. 60483	DWG NO. 100-6919-001	-
ISSUED			SCALE N:S		SHEET 3 OF 4	